

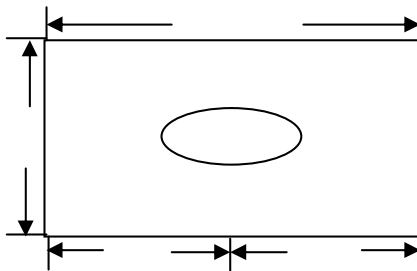
CUSTOM ORDER FORM

PLEASE CIRCLE CHOICES

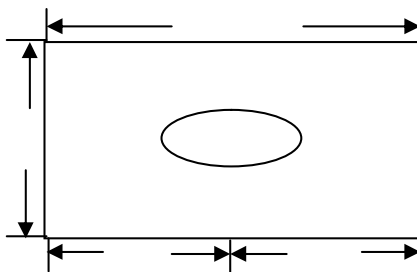
FAX #: 877-945-5329

DATE: _____

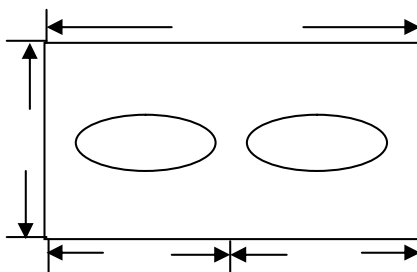
ACCOUNT # COMPANY NAME	SHIP TO:	HAVE YOU SPECIFIED: <input type="checkbox"/> LENGTH AND DEPTH OF TOP <input type="checkbox"/> CENTER LOCATION OF BOWLS <input type="checkbox"/> FAUCET DRILLING <input type="checkbox"/> EDGE STYLE <input type="checkbox"/> FINISHED ENDS/SIDE SPLASHES <input type="checkbox"/> COLOR <input type="checkbox"/> STYLE OF BOWLS
CUSTOMER PO# SPECIAL INSTRUCTIONS	SHIP VIA	

LEFT SIDE FINISHED ENDSPLASH AGAINST WALL 3/4" SCRIBE EAR		RIGHT SIDE FINISHED ENDSPLASH AGAINST WALL 3/4" SCRIBE EAR	BOWL STYLE REC OVAL REC RECTANGLE FLUSH OVAL DIAMOND MALIBU FLAIR OTHER _____
--	---	---	--

QUAN.	FAUCET DRILL	EDGE STYLE FLAT BEVEL 3/4" OG OGEE 1 1/2" FLAT ROPE BULLNOSE
COLOR	GLOSS MATTE	
SALESPERSON		

LEFT SIDE FINISHED ENDSPLASH AGAINST WALL 3/4" SCRIBE EAR		RIGHT SIDE FINISHED ENDSPLASH AGAINST WALL 3/4" SCRIBE EAR	BOWL STYLE REC OVAL REC RECTANGLE FLUSH OVAL DIAMOND MALIBU FLAIR OTHER _____
--	---	---	--

QUAN.	FAUCET DRILL	EDGE STYLE FLAT BEVEL 3/4" OG OGEE 1 1/2" FLAT ROPE BULLNOSE
COLOR	GLOSS MATTE	
SALESPERSON		

LEFT SIDE FINISHED ENDSPLASH AGAINST WALL 3/4" SCRIBE EAR		RIGHT SIDE FINISHED ENDSPLASH AGAINST WALL 3/4" SCRIBE EAR	BOWL STYLE REC OVAL REC RECTANGLE FLUSH OVAL DIAMOND MALIBU FLAIR OTHER _____
--	---	---	--

QUAN.	FAUCET DRILL	EDGE STYLE FLAT BEVEL 3/4" OG OGEE 1 1/2" FLAT ROPE BULLNOSE
COLOR	GLOSS MATTE	
SALESPERSON		



CUSTOM ORDER FORM

PLEASE CIRCLE CHOICES

FAX #: 877-945-5329

DATE: _____

ACCOUNT # COMPANY NAME	SHIP TO:	HAVE YOU SPECIFIED: <input type="checkbox"/> LENGTH AND DEPTH OF TOP <input type="checkbox"/> CENTER LOCATION OF BOWLS <input type="checkbox"/> FAUCET DRILLING <input type="checkbox"/> EDGE STYLE <input type="checkbox"/> FINISHED ENDS/SIDE SPLASHES <input type="checkbox"/> COLOR <input type="checkbox"/> STYLE OF BOWLS
CUSTOMER PO#	SHIP VIA	
SPECIAL INSTRUCTIONS		

LEFT SIDE FINISHED ENDSPLASH AGAINST WALL 3/4" SCRIBE EAR		RIGHT SIDE FINISHED ENDSPLASH AGAINST WALL 3/4" SCRIBE EAR	BOWL STYLE <input type="checkbox"/> REC OVAL <input type="checkbox"/> REC RECTANGLE <input type="checkbox"/> FLUSH OVAL <input type="checkbox"/> DIAMOND <input type="checkbox"/> MALIBU FLAIR OTHER _____
--	--	---	---

QUAN.	FAUCET DRILL	EDGE STYLE	
COLOR	GLOSS MATTE	FLAT	BEVEL
SALESPERSON		3/4" OG	OGEE
		1 1/2" FLAT	ROPE
		BULLNOSE	

LEFT SIDE FINISHED ENDSPLASH AGAINST WALL 3/4" SCRIBE EAR		RIGHT SIDE FINISHED ENDSPLASH AGAINST WALL 3/4" SCRIBE EAR	BOWL STYLE <input type="checkbox"/> REC OVAL <input type="checkbox"/> REC RECTANGLE <input type="checkbox"/> FLUSH OVAL <input type="checkbox"/> DIAMOND <input type="checkbox"/> MALIBU FLAIR OTHER _____
--	--	---	---