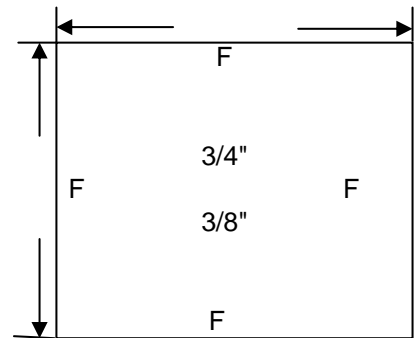
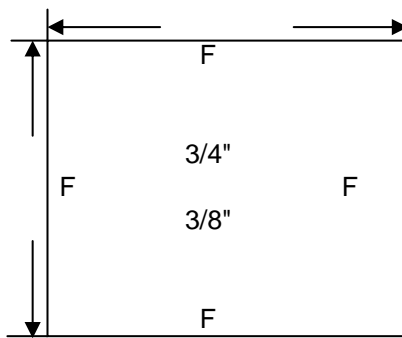
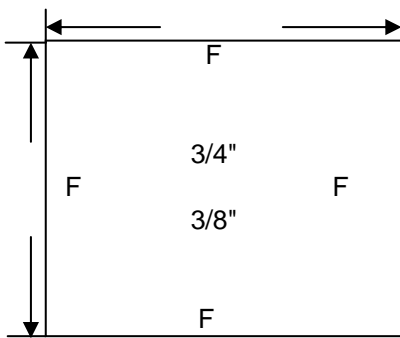
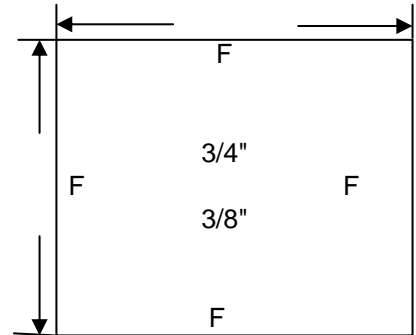
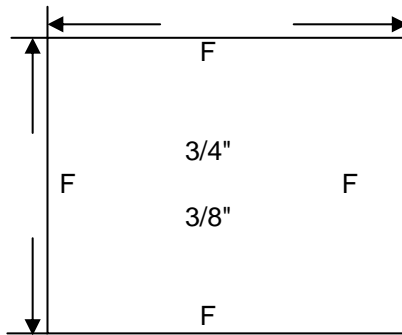
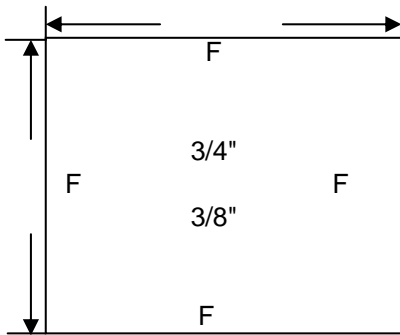
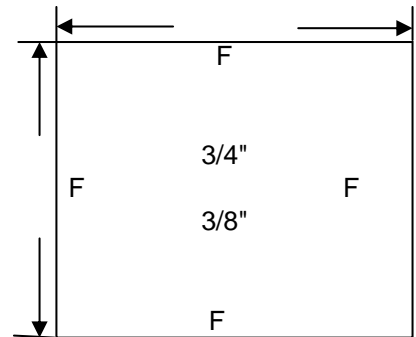
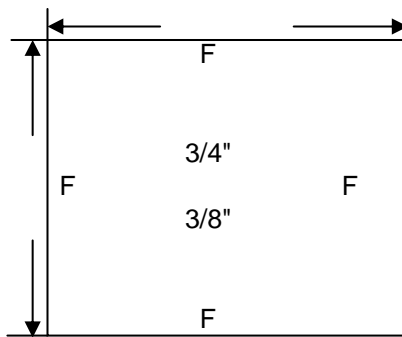
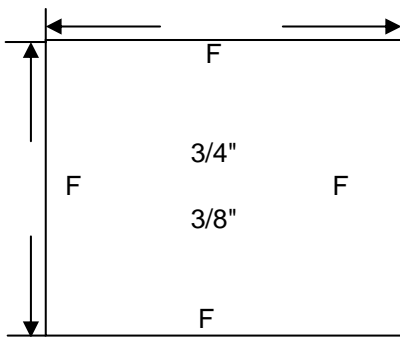




Marble Works FLAT STOCK - WALL PANELS
 Fax: 877-945-5329

ORDER DATE:				ORDERED BY:
DEALER:			JOB NAME:	
COLOR:			FINISH	GLOSS <input type="checkbox"/> MATTE <input type="checkbox"/>



* CIRCLE (3/4" or 3/8") FOR THICKNESS
 ** CIRCLE (F) FOR FINISHED EDGES
 *** VEINING FOLLOWS LONGEST EDGE UNLESS SPECIFIED